

TWISTIICLEAN

Inline Sediment Filters For Water System Solids Problems

T2C

Easy to install and clean, TWISTIICLEAN inline sediment filters remove organics, sand and sediment from water systems.

Materials of Construction

Glass-filled polypropylene/acrylic body with EPDM seal at top of clear bowl, Viton seal at bottom of element filter, and stainless steel screen.



Flow Range:

1 to 78 US gpm*
(0.2 to 17.7 m³/hr)

Maximum Pressure:

100 psi
(6.9 bar)

Maximum Temperature:

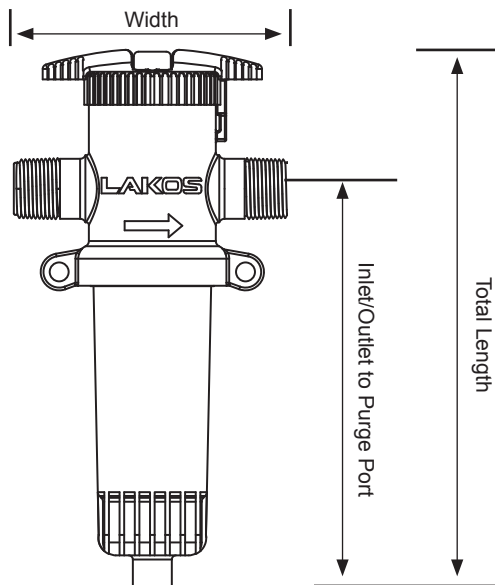
120°F (49°C)

Mesh Sizes:

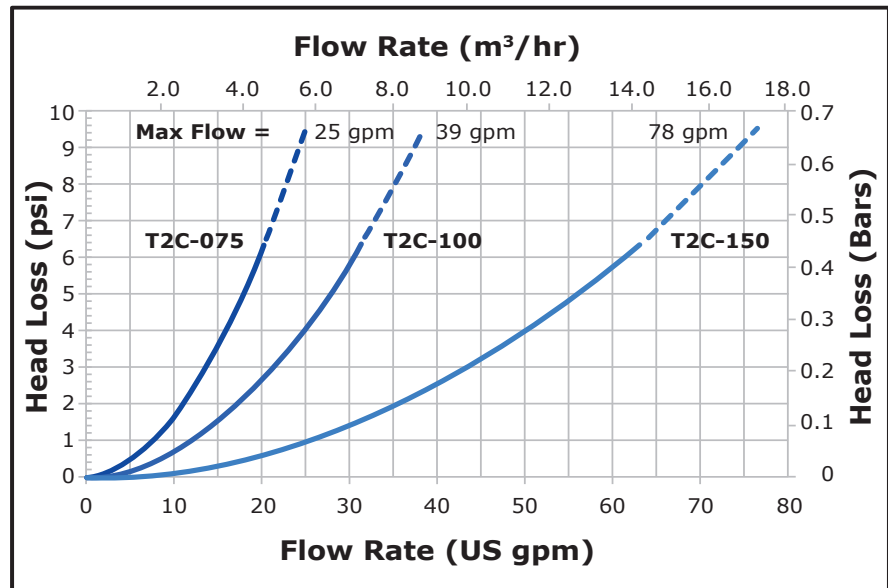
- 30 Mesh (600 Micron) Element (Brown)
- 60 Mesh (250 Micron) Element (White)
- 100 Mesh (150 Micron) Element (Gray)
- 140 Mesh (105 Micron) Element (Black)

Dimensions

See table at right.



Specifications (in Clean Conditions)



— = recommended flow range

Model	Inlet/Outlet	Purge	Total Length	Length (Inlet/Outlet to Purge Port)	Width (inlet/outlet)
T2C-075	¾" MPT	½" MPT	11¾"	8¾"	6"
T2C-100	1" MPT	½" MPT	11¾"	8¾"	6"
T2C-150	1½" MPT	¾" MPT	15¼"	11¾"	7 ½"

FLOW*													
gpm	0	5	10	15	20	25	30	35	40	50	60	70	80
m ³ /hr	0	1.14	2.27	3.41	4.54	5.68	6.81	7.95	9.08	11.36	13.63	15.9	18.17
HEADLOSS (PSI)													
T2C-075	0	0.42	1.60	3.51	6.13	9.45							
T2C-100	0	0.16	0.65	1.46	2.59	4.04	5.81	7.91	10.31				
T2C-150	0	0.04	0.16	0.36	0.64	1.00	1.45	1.97	2.56	4.05	5.85	7.97	10.43

■ = Not recommended at this flow rate

*For higher flow rates refer to TWISTIICLEAN HF LS-873.

TWISTIICLEAN Technical Information

Limited Warranty

The LAKOS TWISTIICLEAN is warranted to be free of material or workmanship defects for one year from delivery date.

If a fault develops, notify us, giving a complete description of the alleged malfunction. Include the model number(s), date of delivery and operating conditions of subject product(s). We will subsequently review this information and, at our option, supply you with either servicing data or shipping instruction and returned materials authorization. Upon prepaid receipt of subject product(s) at the instructed destination, we will then either repair or replace such product(s), at our option, and if determined to be a warranted defect, we will perform such necessary product repairs or replace such product(s) at our expense. This limited warranty does not cover any products, damages or injuries resulting from misuse, neglect, normal expected wear, chemically-caused corrosion, improper installation or operation contrary to factory recommendation. Nor does it cover equipment that has been modified, tampered with or altered without authorization. No other extended liabilities are stated or implied and this warranty in no event covers incidental or consequential damages, injuries or costs resulting from any such defective product(s).

Innovative Technology

LAKOS Separators and Filtration Solutions are manufactured and sold under one or more of the following U.S. Patents:

5,320,747; 5,338,341; 5,368,735;
5,425,876; 5,571,416; 5,578,203;
5,622,545; 5,653,874; 5,894,995;
6,090,276; 6,143,175; 6,167,960;
6,202,543; 7,000,782; 7,032,760 and
corresponding foreign patents, other U.S.
and foreign patents pending.

LAKOS

Separators and Filtration Solutions

1365 North Clovis Avenue
Fresno, CA 93727 USA
Telephone: (559) 255-1601
FAX: (559) 255-8093
info@lakos.com

www.TWISTIICLEAN.com

Sizing and Selection

Model selection is based on flow rate and desired inlet/outlet dimensions.

Recommended Accessories

Sun Shield for Sunny Installations - Black neoprene woven cover for bowl prevents growth of algae and other organics in the bowl when unit exposed to sunlight for long periods.



<u>Model Size</u>	<u>Sun Shield Part Number</u>
T2C-075 (3/4") and for T2C-100 (1")	131355
T2C-150 (1-1/2")	132240

The Complete Family of LAKOS Residential Filtration Solutions



Cartridge Filters TWISTIICLEAN SandMaster Heavy Duty Sand Separator Submersible Pump Sand Protection

For more information, go to
www.LAKOS.com and refer to LS-847.

LS-870 (Rev. 11/11)